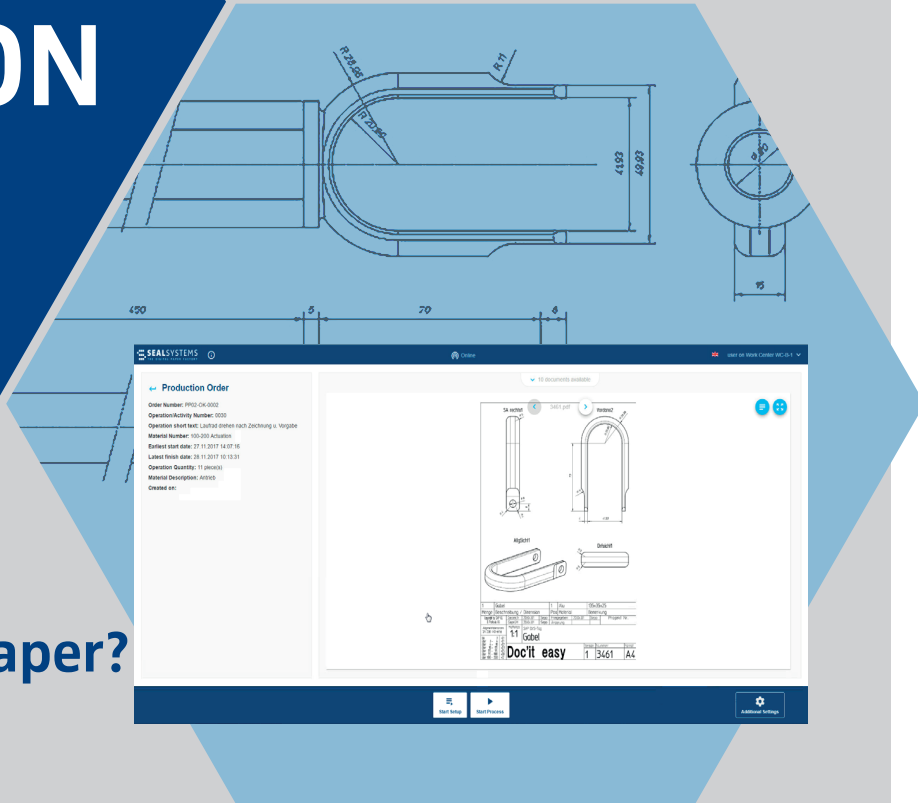


PAPERLESS PRODUCTION



**Production without paper?
This is possible!**

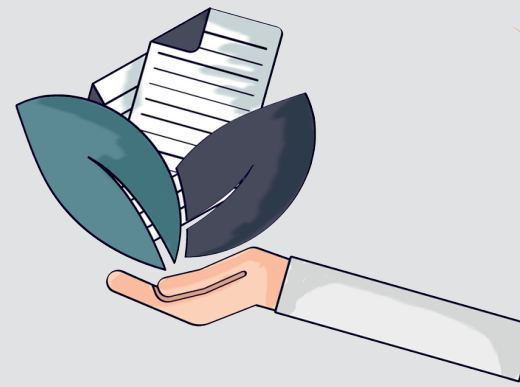
Production 4.0 isn't just a marketing term but is becoming a reality with paper-free production. SEAL Systems helps you to digitize your manufacturing process and equip yourself for the new challenges of the future.

With paperless production, SEAL Systems replicates the advantages of paper and compensates for its disadvantages through state-of-the-art technologies. This creates a clear added value for you.

The transition to digital processes avoids media gaps and makes your production processes, faster, more state-of-the-art and more secure. Your employees get all the up-to-date order data and documents on screens at their workstation - prepared just the way the respective employee needs them. The screens aren't just used for the display, but are also available for process feedback, the acquisition of batches, serial numbers and QM data and for the automatic transfer of QM-information of test tools.

PAPERLESS PRODUCTION

- + ... distributes all information and documents digitally to the employee's workstation.
- + ... shows the right information at the right time at the right workstation.
- + ... records the feedback on working hours, material quantity, scrapped quantity and the reason for variance with simple masks.
- + ... detects QM-relevant data and transfers these to SAP.
- + ... will help you to know precisely what is being manufactured on which workstation.
- + ... is so intuitive that it can also be handled easily by employees without a grasp of IT processes.
- + ... allows individual configuration of the application for each workstation/plant/language.
- + ... is platform-independent and runs on all HTML5-enabled devices.
- + ... is encrypted and thus secures your data and documents.
- + ... integrates the Visual Enterprise viewer to display 3D models and 3D step-by-step instructions.



What we offer is ...

In a workshop, we analyze your current production process and develop the paper-free process together with you. Then we develop a plan for the transition to paperless production. We also support a hybrid model, i.e. the issuing of production documents on paper in combination with a digital deployment.

Contact

Do you have any questions on the subject?

Debra Garls,
SAP Business Account Manager,
will help you gladly!



Phone +1 774 200 0933
debra.garls@sealsystems.com

SEAL Systems Inc.
Telephone + 1 865 380 0005
www.sealsystems.com | info@sealsystems.com

 **SEAL SYSTEMS**
THE DIGITAL PAPER FACTORY

© 2017 SEAL Systems AG. All mentioned in this brochure computer and software names are trade names and/or trademarks of their respective manufacturers. Changes reserved. Last updated: April 2017.